

# 4" HYDRAULIC SUBMERSIBLE VORTEX FLOW TRASH PUMP

## MODELS

**S4THL (Aluminum Body)**

**S4THLDI (Ductile Iron Body)**

**4" (100 mm) Discharge**

Powerful and durable, the S4THL has proven to be an excellent sludge pump. Primary uses for this pump are: oil refinery wastes, sewage digester clean-out, water waste sludge and de-silting applications using divers. This versatile pump offers solids handling and high head capabilities. Shut off head at 200 feet.



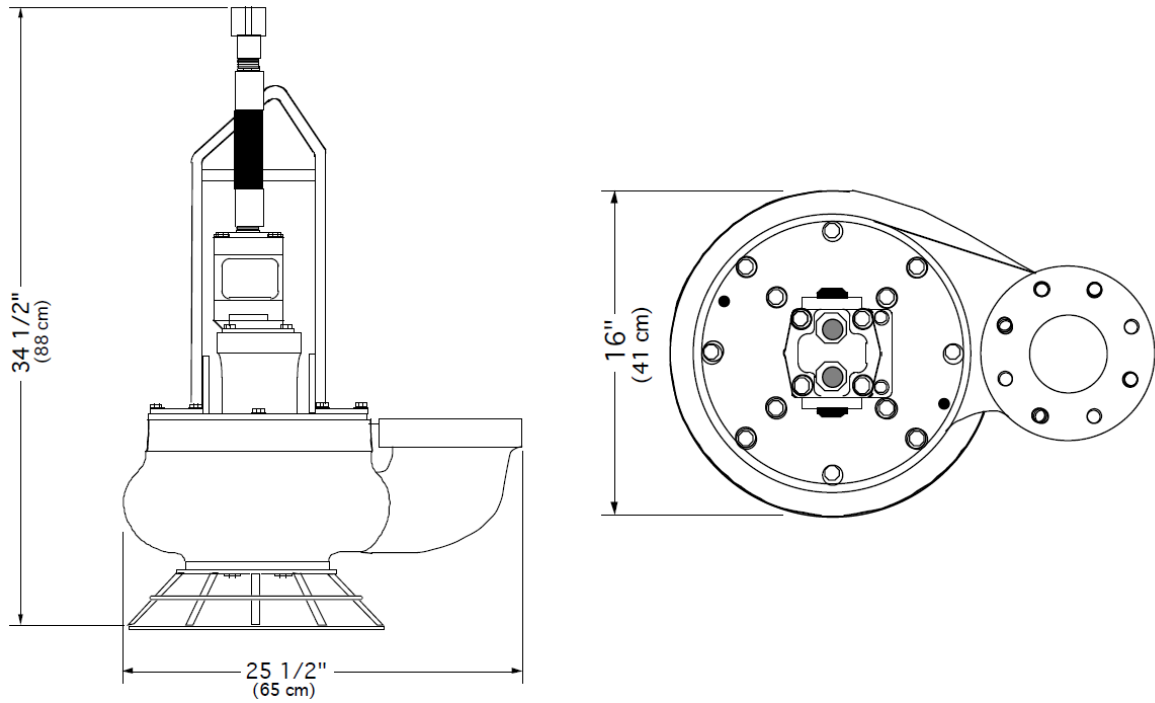
## FEATURES

- Fully Recessed SS Vortex Impeller (will pass 3 1/2" semi-solids)
- Wide Range of Applications & Performance
- Variable Speed hydraulic drive
- Oil Lubricated Seals (can run dry)
- SS wear ring and wear plate
- Can be bolted directly into a pipeline or fitted with a suction hose for underwater dredging
- Tungsten Carbide Coated
- Operates with our HT50 to HT75 power units or other hydraulic power sources capable of flows of 15 - 30 GPM
- Stainless Steel model available

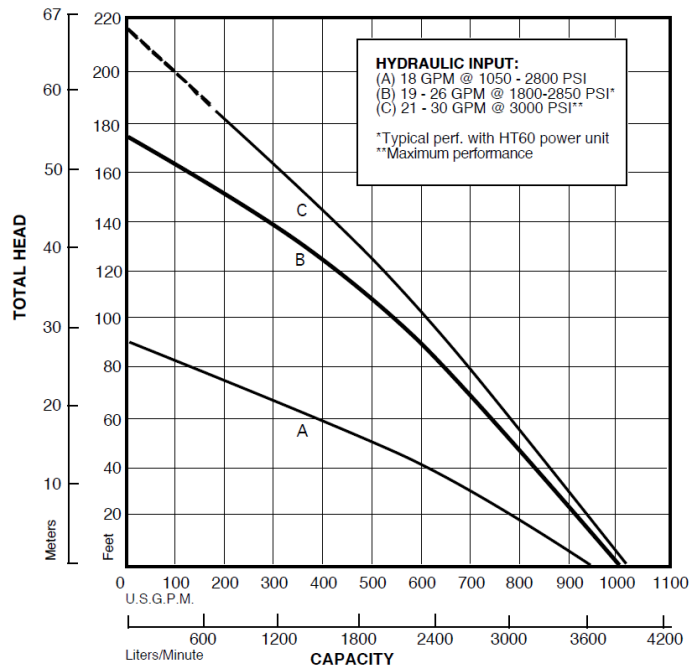
## SPECIFICATIONS

WEIGHT: (Aluminum).....	209 lbs. (95 kg)
(Ductile Iron).....	294 lbs. (133 kg)
HEIGHT:.....	34 1/2" (88 cm)
WIDTH (@ widest point):.....	25 1/2" (65 cm)
DISCHARGE:.....	4", 125# ASA Flange
INLET FLANGE:.....	4", 125# ASA
SOLIDS HANDLING:.....	3 1/2" (9 cm)
HOSE PORTS:.....	1" (-16) SAE
PUMP BODY: (S4THL).....	Heat Treated Aluminum
(S4THLDI).....	Ductile Iron
IMPELLER:.....	Stainless Steel
WEAR RING and WEAR PLATE.....	Stainless Steel
SHAFT:.....	Stainless Steel
SHAFT SEAL:.....	Carbon/Ceramic (Std)
	Silicon Carbide (Optional)
ELASTOMERS:.....	Buna N (Std)
HYDRAULIC OIL:.....	214-320 s.s.u. @ 100°F (64°C)
INPUT FLOW:.....	Max 30 GPM (114 LPM)
OPERATING PRESSURE:.....	Max 3000 PSI (204 Bar)
POWER SOURCE:.....	Any Open Center Hydraulic System

## Model S4THL Overall Dimensions



## S4THL Typical Performance



Curves are based on pumping water at 60°F. For performance curves other than shown above, consult factory.