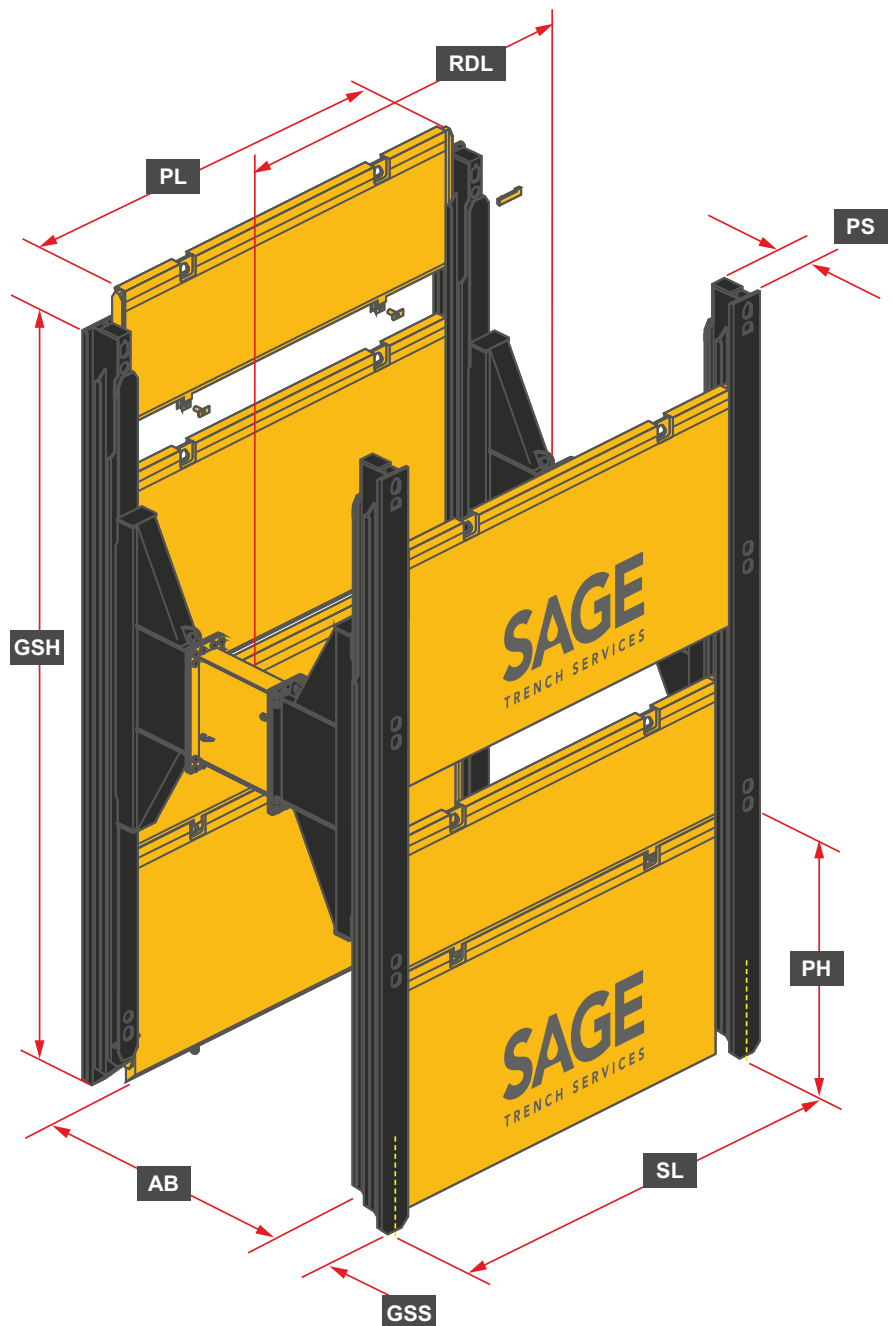


Trench Shoring Systems

Double Slide Rail Shoring **XL**

- Slide rail plates in **two** guide rails - for **flexible** use in **several** fields
- Installation by **lower and cut** method in unstable soils - **easy dismantling**
- Maximum trench depth: **25 feet**
- Trench width: **6.5 inch - 29 feet**
- Pipe clearance height: **13 feet**



PL	Plate length
SRH	Slide rail height
WW	Working width
SRT	Slide rail thickness
SL	System length
PH	Plate height
PT	Plate thickness
PCL	Pipe clearance length



24 HOUR
RENTAL / SALES / SERVICE

Double Slide Rail Shoring

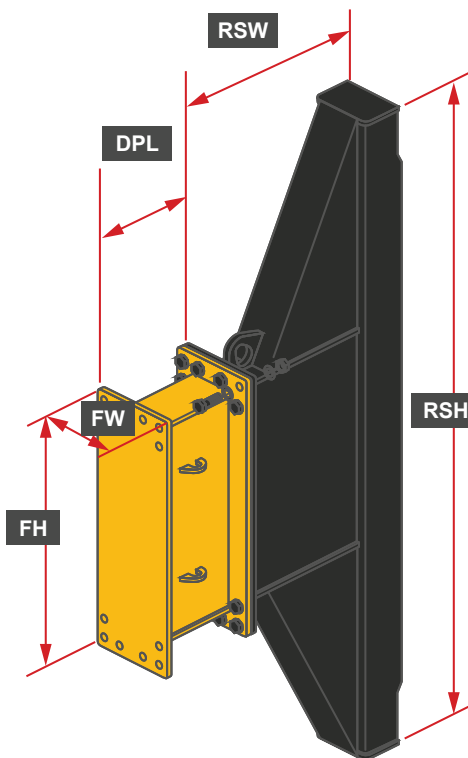
Element	Slide rail height SRH (feet)	Weight (lbs)	Slide rail thickness SRT (inch)	Char. System resistance
Slide rail	18	3,219	16	700,093 lbf/ft
	20	3,505		
	21	3,803		
	23	4,101		
	25	4,387		
Corner rail	21	2,491	17	9,969* lbf/ft

* Slide rail force each side



Rolling Strut XL

RSH	Rolling Strut height
RSW	Rolling Strut width
DPL	Distance piece length
FH	Flange height
FW	Flange width



Rolling Strut - XL	
Height RSH (inch)	120
Width RSW (inch)	36
Flange width FW (inch)	16
Flange height FH (inch)	48
Weight / RS-pair (lbs)	3,748
min. Working width WW (inch)	72

Distance piece - XL						
Lenght DPL (inch)	10	20	30	39	79	118
Weight (lbs)	674	800	922	1,047	1,574	2,116

