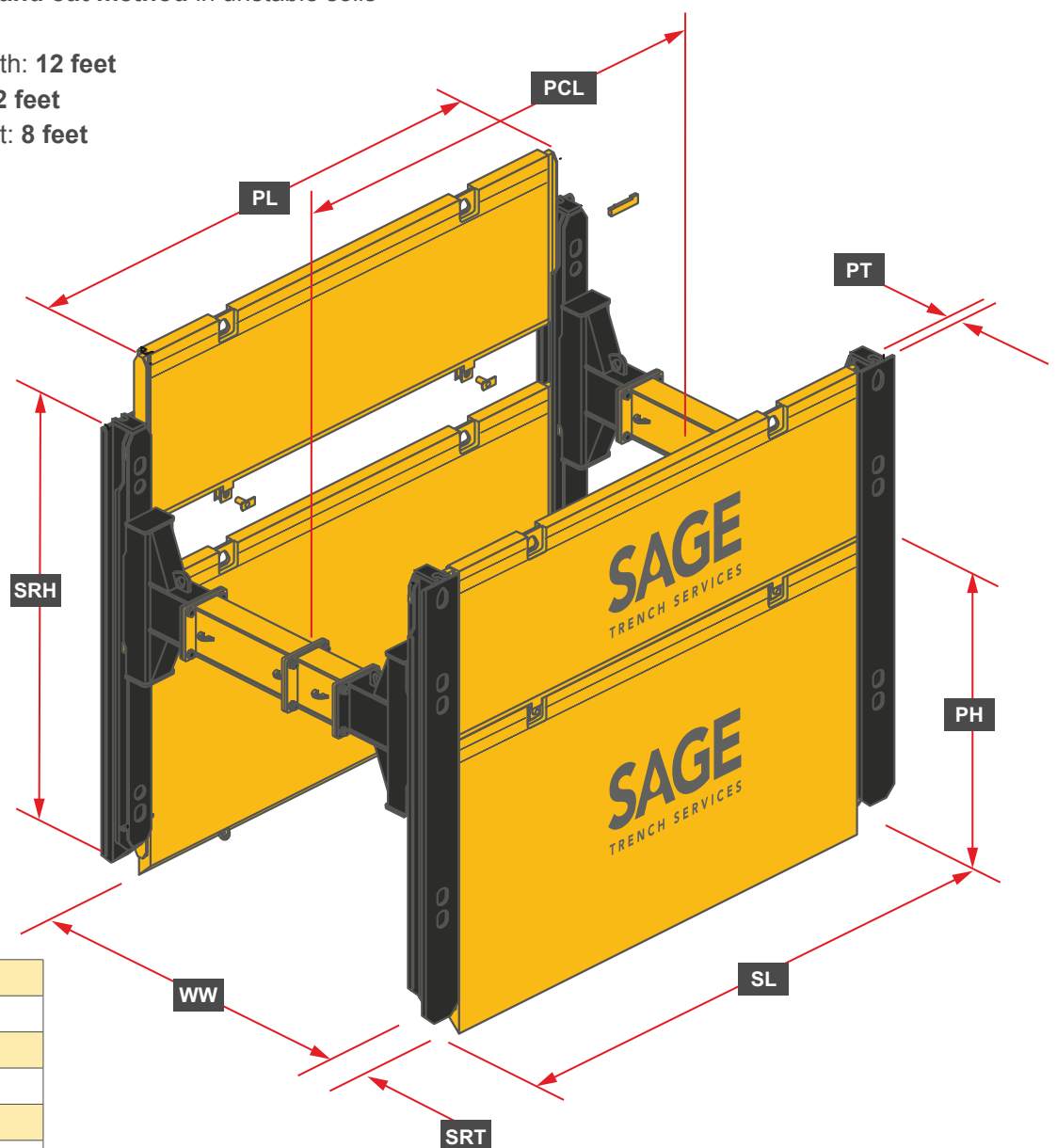


Trench Shoring Systems

Single Slide Rail Shoring

- Usage at **high pipe clearances** - slide rail plates in **one guide rail** - rolling struts are movable - ensures the best possible use of the **working area**
- Installation by **lower and cut method** in unstable soils
 - **easy dismantling**
- Maximum trench depth: **12 feet**
- Trench width: **5.5 - 22 feet**
- Pipe clearance height: **8 feet**



PL	Plate length
SRH	Slide rail height
WW	Working width
SRT	Slide rail thickness
SL	System length
PH	Plate height
PT	Plate thickness
PCL	Pipe clearance length



24 HOUR
RENTAL / SALES / SERVICE

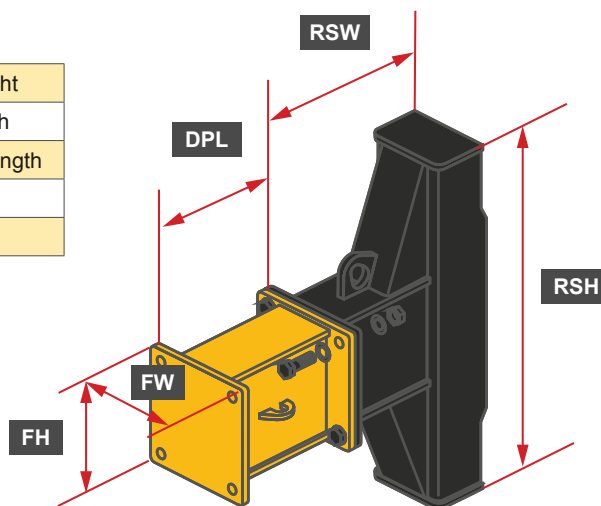
Single Slide Rail Shoring

Element	Slide rail height SRH (feet)	Weight (lbs)	Slide rail thickness SRT (inch)	Char. System resistance
Slide rail	12	1,190	9	317,151 lbf/ft
Corner rail		860	10	9,969* lbf/ft

* Slide rail force each side

Rolling Strut

RSH	Rolling Strut height
RSW	Rolling Strut width
DPL	Distance piece length
FH	Flange height
FW	Flange width



Rolling Strut	
Height RSH (inch)	49
Width RSW (inch)	24
Flange width FW (inch)	16
Flange height FH (inch)	16
Weight / RS-pair (lbs)	1,366
min. Working width WW (inch)	49

Distance piece - XL						
Length DPL (inch)	10	20	30	39	79	118
Weight (lbs)	218	282	346	408	668	928

